



File Name: Canon 420ex service manual.pdf

Size: 2010 KB

Type: PDF, ePub, eBook

Category: Book

Uploaded: 4 May 2019, 21:29 PM

Rating: 4.6/5 from 760 votes.

Download Now!

Please check the box below to proceed.



I'm not a robot



reCAPTCHA
Privacy - Terms

Book Descriptions:

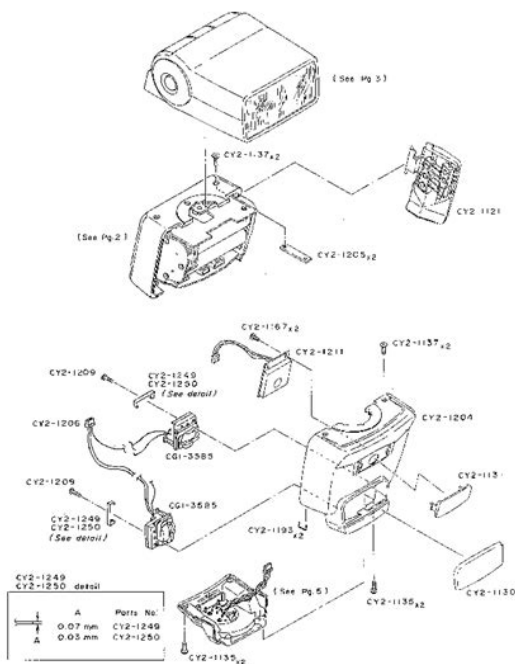
Canon 420ex service manual



Please do not offer the downloaded file for sell only use it for personal usage. Looking for other manual For this no need registration. May be help you to repair. You could suffer a fatal electrical shock. Instead, contact your nearest service center. Note! To open downloaded files you need acrobat reader or similar pdf reader program. In addition, Also some files are djvu so you need djvu viewer to open them. These free programs can be found on this page needed progs If you use opera you have to disable opera turbo function to download file. If you cannot download this file, try it with CHROME or FIREFOX browser. Translate this page Relevant STILL CAMERA forum topics Canon PowerShot A100 eszi az elemet!El ajandekoztam!!. Udv mindenkinek! Van egy digitalis fenykepezogepem Canon PowerShoot A100 0 es nem tudom hasznalni mert a legjobb tartos elemet is 2 perc alatt megeszi. FotoSzeretnem hasznalni weblap kesziteshez elegendo a felbontasa. CF kartyam is van bele valo csak ne enne annyi villanyt. Jelensegek. Nem melegszik. Nincs amper szaga sem. Minden normalisan mukodik csak hat nagyon rovid ideig. Ha van valakinek epkezlab 5lete varom a segitseget. Udvozlettel simonsen! Csak azert irom meg, hatha valaki nem ismeri az okat. Ez a jelenseg akkor jon elo, mikor a benne levo CR1220 tipusu gombelem lemerul. Ugyanis ez tarolja a datumot es az idot. Csere utan ismet tokeletesen mukodik a fenykepezogepem.Canon PowerShot A1000IS feszultseg ellatasa. Sziasztok! A kovetkezoben szeretnem a segitsegeteket kerni. Van ez a gepem, es akku nelkul szeretnem hasznalni. Viszont ahova beteszem, ott csak 3.3Vos feszultseg van. A gep aljan van egy felirat, 3.15V egyen. Mit szolna szerintetek, ha az akku erintkezokon keresztul megszurnam 3.3Val. Elfustol, vagy mukodik Elore is koszi a segitseget. Udv ROland Similar manuals You can write in English language into the forum not only in Hungarian. This page requires Javascript. Modify your browsers settings to allow Javascript to execute.<http://adventglobal.com/EditorImages/dmo-10e-manual.xml>

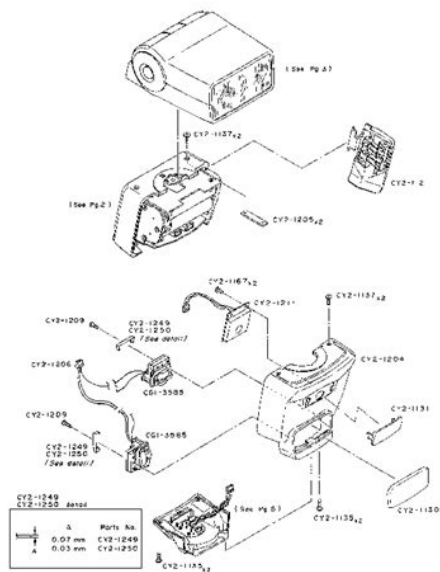
- **canon 420ex service manual, canon 420ex service manual pdf, canon 420ex service manual download, canon 420ex service manual free, canon 420ex service manual online.**

CANON SPEEDLITE 420EX



See your browsers documentation for specific instructions. To install your download click on the name of the downloaded file. Recommended Software File Name Date File Size Optional Software File Name Date File Size Recommended Manuals File Name Date File Size Optional Manuals File Name Date File Size This Limited Warranty is only effective upon presentation of this warranty card and proof of purchase. Equipment covered by this Warranty will be repaired in the United States, WITHOUT CHARGE, by our Service Centers and Authorized Service Facilities. When returning equipment for warranty service, the shipping charges must be prepaid and the equipment should be shipped in its original carton or box, or an equivalent, properly packed to withstand the hazards of shipment and be fully insured. A bill of sale, copy of this warranty card or other proof of purchase should be enclosed, as well as a description of the problem, film samples, etc. Repairs will be made and the equipment will be return shipped at NO CHARGE. This warranty covers all defects encountered in normal use of the equipment, and does not apply in the following cases List of international service facilities included with equipment. List of participating international service facilities included with equipment. This warranty is given by Canon U.S.A., Inc., with respect to equipment purchased in the United States. Scroll down to easily select items to add to your shopping cart for a faster, easier checkout. Visit the Canon Online Store. Canon Flash units Mostly English only sections of the text. Hence, pages may skip. Canon Speedlite 420EX single file. Camera Flash Canon Speedlite 420EX Instruction Manual. 56 pages. Camera Flash Canon Speedlite 420EX Instructions Manual. Canon camera accessories. Camera Flash Canon Speedlite 420EX Instructions Manual. Reload to refresh your session. Reload to refresh your session. <http://koppeika.ru/userfiles/dmol3-software-manual.xml>

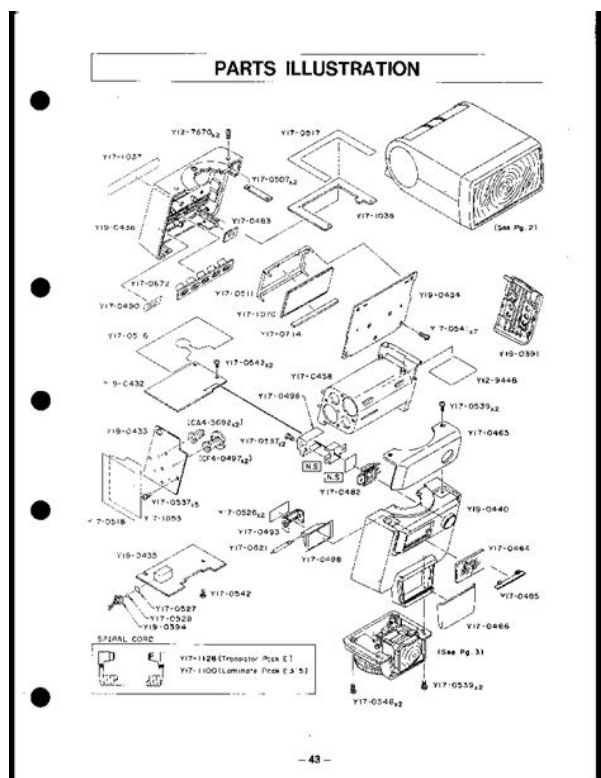
CANON SPEEDLITE 420EX



This IGBT is also used to control modulate the brightness of the light when in HSS mode High Speed Sync. The IGBT is internally short and therefore cannot turn off the flow of current through the flash tube, this lead to always firing at full power the flash tube is on till it consume all the energy stored in the capacitor. There are wires connected between the internal circuites and the flash shoe, It can only be seperated by 1015mm. Now the battery door can be remove also. You can see now the IGBT transistor mark in the picture. Be careful, it is wired to other circuits in several points. Make clean gentle cuts, do not hurt the circuit board PCB, and do not bend the IGBT it will generate unnecessary forces over the PCB. Using soldering iron disassamble the 3 marked wiers, start with the red as it has the best access, then the blue which is blocking the access to the black wire and finally the black wire. Insert the IGBT pins to the holes and solder them, after soldering the IGBT, cut the pins so they will not project more then 3mm over the PCB circuite board. Notify me of new posts via email. To find out more, including how to control cookies, see here. I need a copy of a Metz 45CL4 Service Manual. I have one for a 45CT5 in German, but its not exactly the same and takes forever to translate. I dont know what that means. Can you email If I understood well, you are the happy owner of it. As I need to modify the flash, would it please be possible to email it to me. I would be forever Answer questions, earn points and help others. If you continue without changing your cookie settings, well assume that you are happy to receive all cookies on our website. However, if you would like to, you can change your settings at any time using the Change cookie settings link in the Special menu. Anyone who has bought before can download the updated package on request for free. All news Please enable JavaScript in your web browser.

You expect to get what you ordered, and you want to pay a low price for it. The retailers I recommend below are the ones I trust for my purchases. Get your Canon Speedlite 420EX Flash now from Can you help right now We delete comments that violate our policy, which we encourage you to read. Discussion threads can be closed at any time at our discretion. Please try your search again later. However, the 420ex has been superceded by the 430ex, if you are buying new. All the Speedlites are compatible, by the way. Check an online manual for the Speedlite 420EX. The hard copy I have says it works for Rebel XSN. Is that the same as your camera. The features available with Speedlite 420EX depend on the EOS camera. Does it come with the instruction manuell I have used mine without issues on the very similar 5D Mark ii. Canon has online instruction manuals on

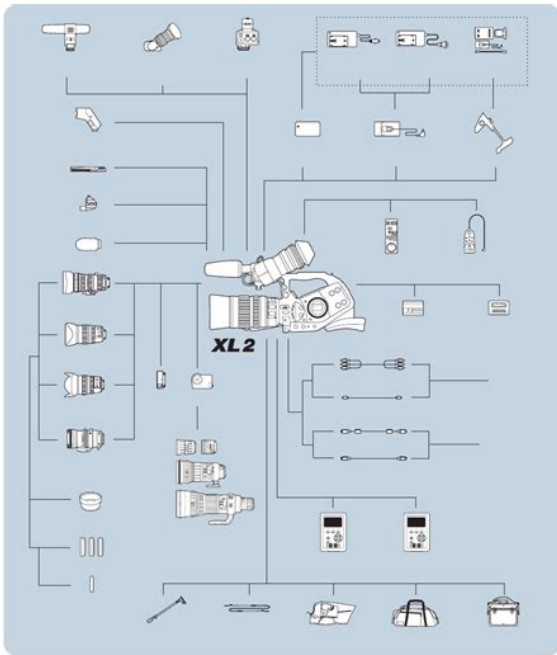
their site to download. It really is a pretty simple unit to use. I have used mine without issues on the very similar 5D Mark ii. Canon has online instruction manuals on their site to download. It really is a pretty simple unit to use. I have used mine without issues on the very similar 5D Mark ii. Canon has online instruction manuals on their site to download. It really is a pretty simple unit to use. You need the 580EX for that. You might want to consider the 420 EX II if one is available. Do you have a flash attachment for this camera I have answered this inquiry earlier. I used that camera and flash to photograph scores of weddings before I finally retired. Using customised button set to AF stop in AI servo Maximum continuous shooting speed may decrease AF point selection in still and Movies, touch shutter is possible in still photo shooting. No 4GB file limit with exFAT formatted SD card. Battery grip Not used, WiFi settings OFF In power saving mode. You may have to register before you can post click the register link above to proceed.



<https://congiendis.vn/vi/3ug3522-1-al-20-manual>

To start viewing messages, select the forum that you want to visit from the selection below. Service Manual Service Manual All trademarks and copyrights in the published materials belong to their respective owners.

<https://gameanglinginstructors.co.uk/images/brother-bas-311e-manual.pdf>



<http://drbillbaker.com/images/brother-bas--311g-service-manual.pdf>



<http://baharemadinah.com/wp-content/plugins/formcraft/file-upload/server/content/files/1627041d1c7666---boss-line-selector-manual.pdf>

www.comycevalencia.com/galeria/files/99-honda-accord-service-manual-pdf

<http://ninethreefox.com/?q=node/10955>